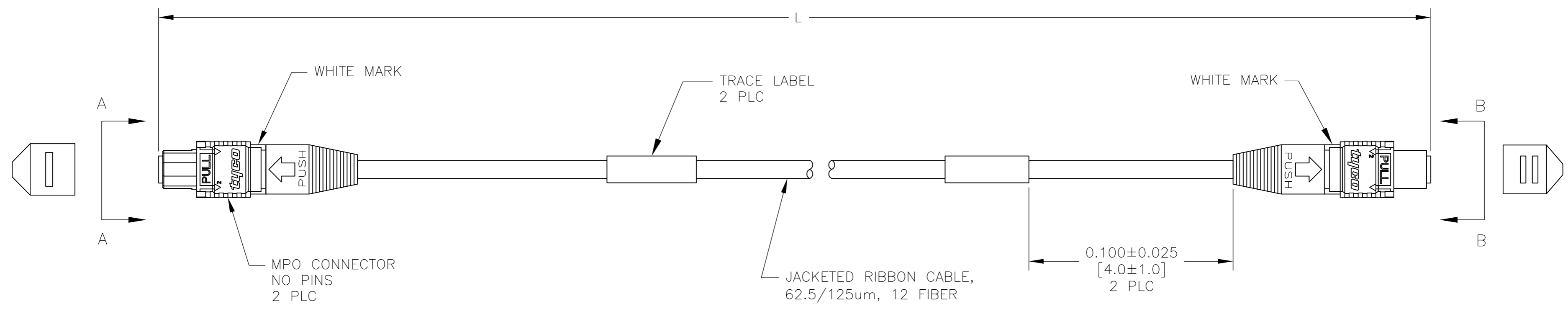
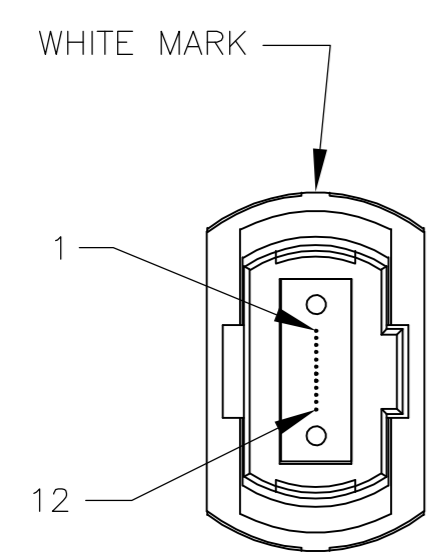


1. MAXIMUM INSERTION LOSS (1300nm): 0.5 dB
2. PRODUCT AND PROCESSING MUST MEET REQUIREMENTS OF TYCO ELECTRONICS STANDARD 230-702



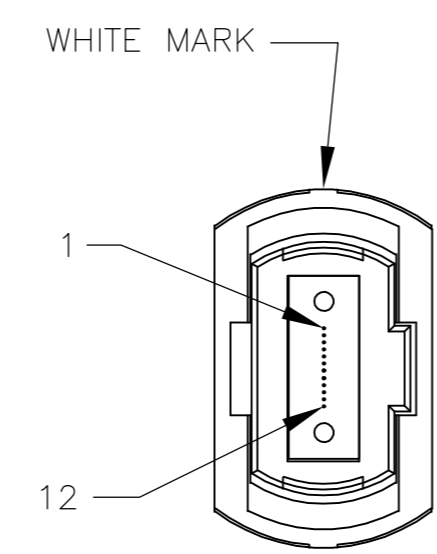
STRAIGHT THROUGH



VIEW A-A
NOT TO SCALE

LEFT MPO FIBER #	RIGHT MPO FIBER #
1	1
2	2
3	3
4	4
5	5
6	6
7	7
8	8
9	9
10	10
11	11
12	12

MPO CONNECTOR FIBER PATH



VIEW B-B
NOT TO SCALE

10.000±0.150 [393.70±5.90]	1-6457988-0
5.000±0.080 [196.85±3.15]	6457988-5
3.000±0.050 [118.11±2.00]	6457988-3
2.000±0.050 [78.74±2.00]	6457988-2
1.000±0.050 [39.37±2.00]	6457988-1
L METERS [INCHES]	PART NUMBER

THIS DRAWING IS A CONTROLLED DOCUMENT.		DWN J.W. DAVIS 10FEB06	Tyco Electronics Corporation Harrisburg, PA 17105-3608	
DIMENSIONS: METERS [INCHES]		CHK J. BARRY 10FEB06	NAME F. MCCORKEL 10FEB06	
TOLERANCES UNLESS OTHERWISE SPECIFIED: 0 PLC ± - 1 PLC ± - 2 PLC ± - 3 PLC ± - 4 PLC ± - ANGLES ± -		APVD F. MCCORKEL 10FEB06	PRODUCT SPEC APPLICATION SPEC	
MATERIAL -		FINISH -	WEIGHT -	SIZE A2
		CAGE CODE 00779		DRAWING NO 6457988
		CUSTOMER DRAWING		RESTRICTED TO -
		SCALE NTS	SHEET 1 of 1	REV A